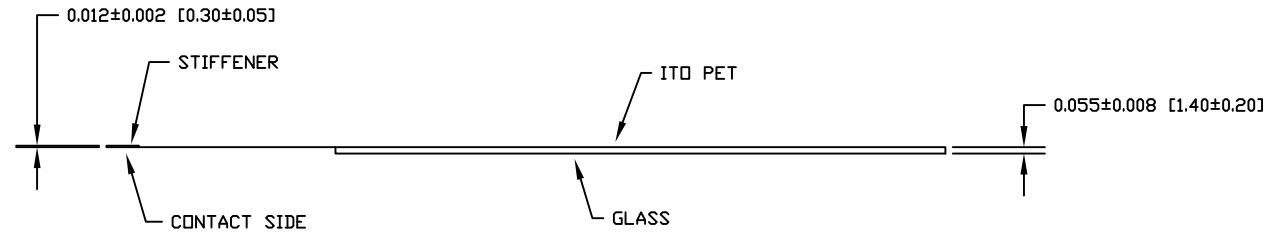
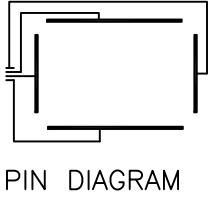
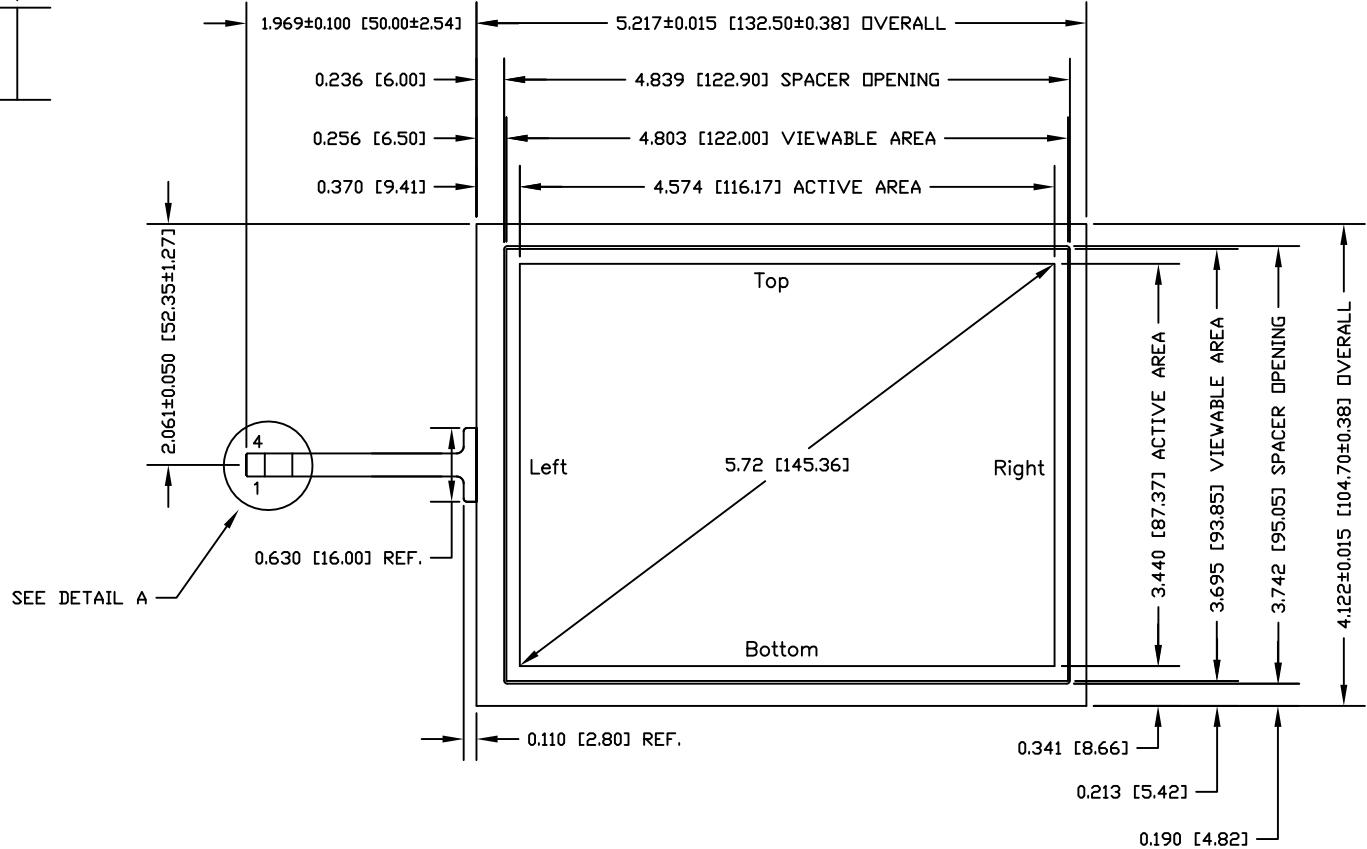
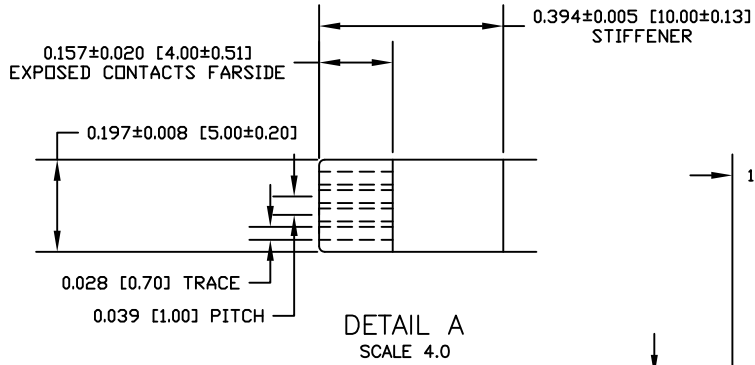


| REV | INITIALS | DATE | DESCRIPTION |
|-----|----------|------|-------------|
| | | | |



- NOTES:
1. TOLERANCE ±0.020 UNLESS NOTED OTHERWISE.
 2. TOP CONDUCTIVE LAYER TO HAVE AN ANTI-GLARE HARDCOATED SURFACE.
 3. PIN ONE DESIGNATED BY THE NUMERICAL NUMBER 1 BY THE CONNECTOR END.
 4. PINOUT TO BE AS INDICATED.
PIN 1 - BOTTOM.
PIN 2 - LEFT.
PIN 3 - TOP.
PIN 4 - RIGHT.
 5. TAIL TYPE: IMMERSION GOLD PLATED FPC, ZIF

| BERGQUIST TOUGH PRODUCTS | | | |
|---|--|-------|--------|
| 301 WASHINGTON STREET CANNON FALLS, MN 55009 | | | |
| TITLE: | 5.72 DIAGONAL 4-WIRE RoHS COMPLIANT | | |
| DRN: | MLR | DATE: | 5/1/08 |
| CHKD: | | DATE: | |
| APVD: | | DATE: | |
| TOL: | ±0.020 | DWG # | 9532A |
| PART #: | 400426 | REV | |